

MiniBlue™ II

Hot Melt Dispensing Applicators

Compact hot melt guns deliver industry-best service life and superior, consistent high-speed performance

Features

Nordson MiniBlue II applicators set the new industry standard for speed, reliability and performance. Ideal for operations with close flap-compression sections or smaller flaps with shorter adhesive beads, these applicators deliver consistent, robust performance.

- Module features advanced seal technology (patented and patent pending) and high-speed capability
- Innovative solenoid technology and advanced module design delivers fast (2ms) cycle times and superior high-speed performance
- Module and solenoid combination reduces the performance gap between pneumatic and electric applicators
- Backward compatibility with previous MiniBlue applicators
- Compact design for confined spaces
- Choice of solenoids, Saturn® solenoids and nozzles, module widths, single- or multi-module, and water wash configurations
- Standard hard-plastic insulating cover on MiniBlue II (slim) applicators for energy efficiency and protection from incidental contact



Click on image to view video

Benefits

- More than twice the operating life of any pneumatic applicator in the packaging industry
- Less frequent replacement, downtime, maintenance, and inventory costs
- Enhanced ball-and-seat design provides stronger air-open/air-close force for cleaner operation at high speeds
- Integrated filter captures contaminants, reducing nozzle clogs and downtime
- Quick-disconnect feature minimizes solenoid installation and removal downtime
- Insulating covers reduce energy use up to 38 percent; minimize contact with heated surfaces; maintain applicator and adhesive temperature for better flow, cutoff and bonding
- Configurable product maximizes pattern, adhesive and application flexibility to reduce costs

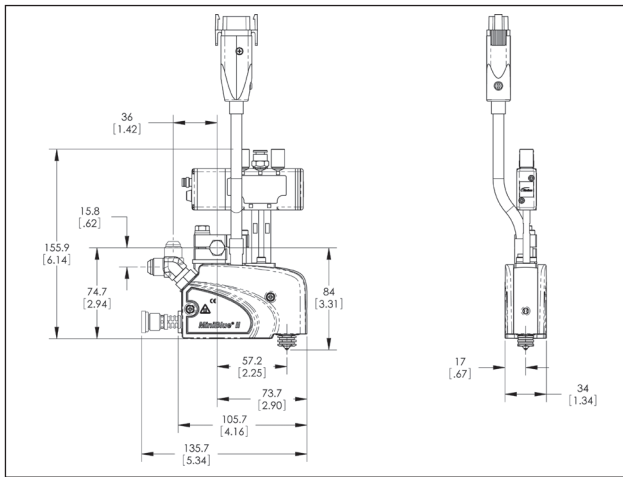


MiniBlue™ II Hot Melt Dispensing Applicators

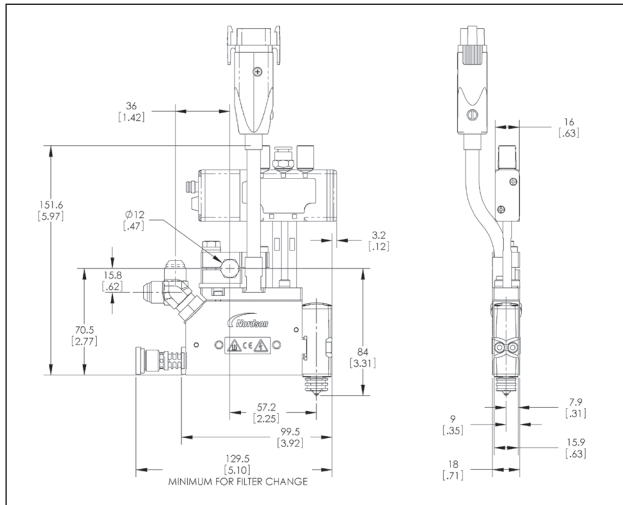
Specifications

Operating Temperature	190° C (400° F) maximum
Operating Air Pressure¹	3.4 to 5.5 bar (50 to 80 psi)
Working Hydraulic Pressure	103 bar (1500 psi) maximum
Nozzles Standard	Saturn®, single orifice (controlled engagements)
Saturn Solenoid Valves	24 VDC, high-temperature, factory-installed
Electrical Service	240 VAC, 50/60 Hz; 200 VAC, 50/60 Hz optional
Maximum Cycle Rate	8000/min
Minimum Bead Deposition	2ms (adhesive dependent)
Adhesive Viscosity	500 to 1500 cps optimal 500 to > 5000 cps capability

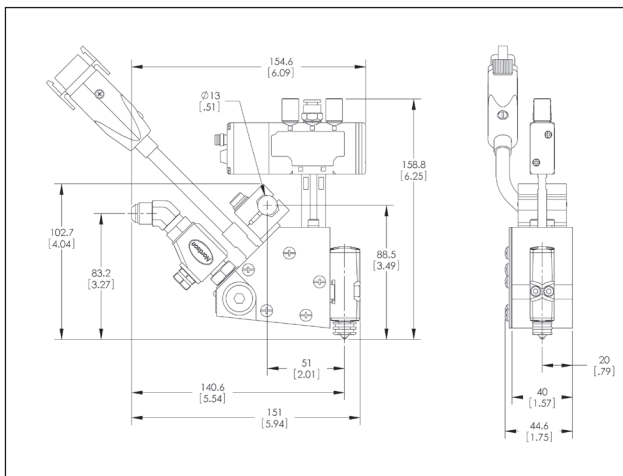
¹ Recommended range. Dry, regulated, unlubricated air required for consistent gun operation.



MiniBlue II (Slim) Applicator with Saturn SP solenoid and hard-plastic insulating gun cover



MiniBlue II (Slim) Applicator with Saturn SP solenoid



MiniBlue II (Wide) Applicator with Saturn SP solenoid



Click on image to view animation



For more information, speak with your Nordson representative or contact your Nordson regional office.

United States

Duluth, Georgia
(800) 683-2314 Phone
(866) 667-3329 Fax

Canada

Markham, Ontario
(800) 463-3200 Phone
(905) 475-8821 Fax

Europe

Erkrath, Germany
(49) 211-9205-0 Phone
(49) 211-254658 Fax

Japan

Tokyo, Japan
(81) 3-5762-2700 Phone
(81) 3-5762-2701 Fax

Asia/Australia/ Latin America

Amherst, Ohio
(440) 985-4797 Phone
(440) 985-1096 Fax

Find us on:



Scan with your smart phone to view video

PKL-10-5604
Reissued 4/12
© 2010 Nordson Corporation
All Rights Reserved.
Printed in U.S.A.
Nordson reserves the right to make design changes between printings.